

290 Series VHF Yagi Antennas

The 290 Series VHF Yagi Antenna are available in 2, 3, and 6 element configurations. All our antennas can be completely customized to your applications. Our antennas can be black anodized, welded, vertically or horizontally polarized, and heavy-duty versions are available.

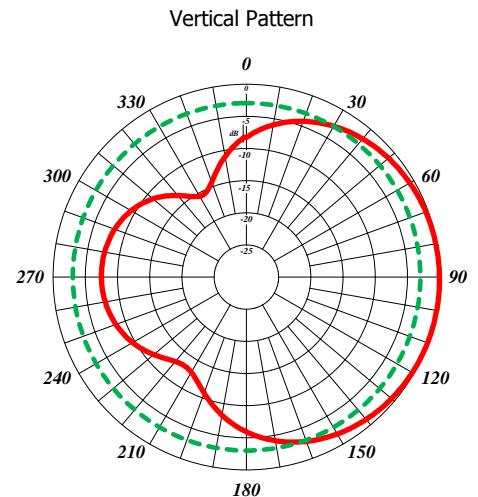
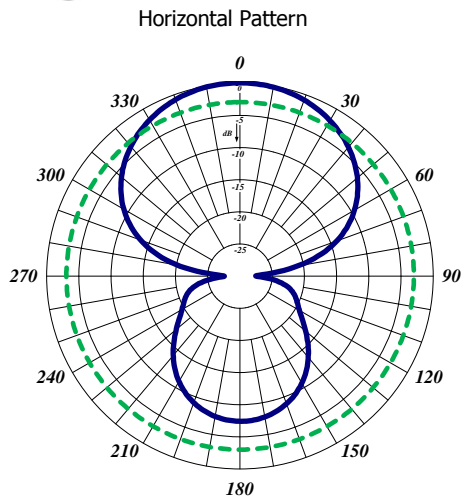
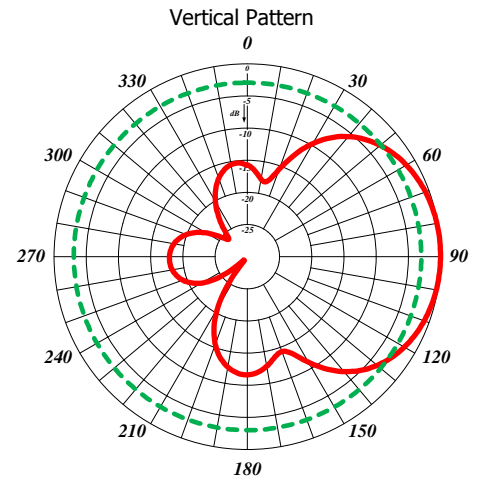
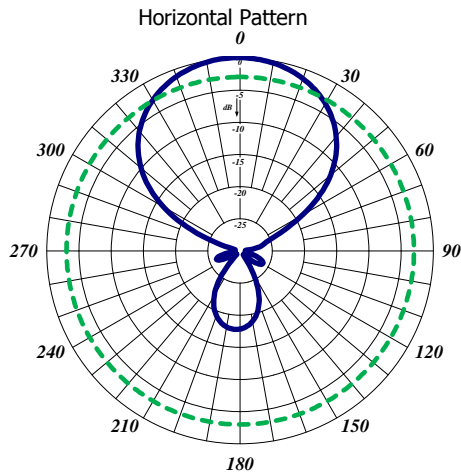
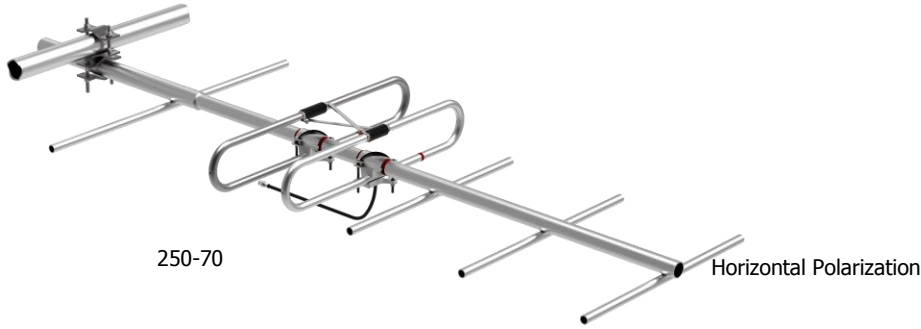
- Each antenna has a rugged design to withstand harsh environmental conditions.
- The mounting hardware supplied will permit either vertical or horizontal polarization.
- DC ground for lightning protection.
- Optionally have the entire antenna welded for added durability.
- Heavy-duty versions are available. Please contact our Technical Support team for consultation.

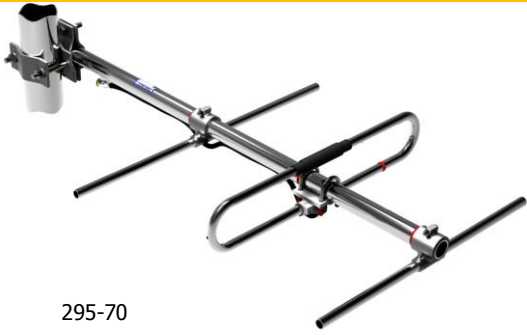
Electrical Specifications	291-70	295-70	290-70	250-70
Frequency Range, MHz	138-174	138-174	138-174	138-174
Nominal Gain, dBd	3.5	6.5	9.5	7
Number of Elements	2	3	6	6
Bandwidth 2.0:1 VSWR, MHz (Ctr. Freq.%)	36	4%	4%	36
Polarization	Vert. or Horiz.	Vert. or Horiz.	Vert. or Horiz.	Vert. or Horiz.
Horizontal Beamwidth (Horizontal Pol.)	140°	90°	62°	80°
Vertical Beamwidth (Horizontal Pol.)	70°	61°	50°	60°
Front to Back, dB	15	12	17	25
Pattern	Directional	Directional	Directional	Directional
Power Rating, Watts	350	350	350	250
Nominal Impedance, Ohms	50	50	50	50
Lightning Protection	DC Ground	DC Ground	DC Ground	DC Ground
Standard Termination	Type N Male	Type N Male	Type N Male	Type N Male
Mechanical Specifications	291-70	295-70	290-70	250-70
Length, in (mm)	50 (1270)	60 (1524)	108 (2743)	104 (2642)
Width, in (mm)	40 (1016)	43 (1092)	42 (1067)	42 (1067)
Weight, lbs. (kg)	4.8 (2.2)	6.5 (2.9)	12.0 (5.4)	12.0 (5.4)
Rated Wind Velocity, No Ice, mph (km/h)	150 (241)	145 (223)	120 (177)	110 (177)
Rated Wind Velocity, 0.5" (13mm) ice, mph (km/h)	105 (169)	100 (161)	85 (137)	90 (145)
Lateral Thrust @ 100 mph, wind, lbs. (kg)	29 (13)	39 (18)	65 (29)	95 (43)
Projected Area, ft ² (m ²)	1.1 (0.10)	1.4 (0.13)	2.4 (0.22)	2.6 (0.24)
Mounting Hardware Included	181-85 Clamp	181-85 Clamp	115-85 Clamp	115-85 Clamp



250-70

* See next page for ordering information (page 4) *

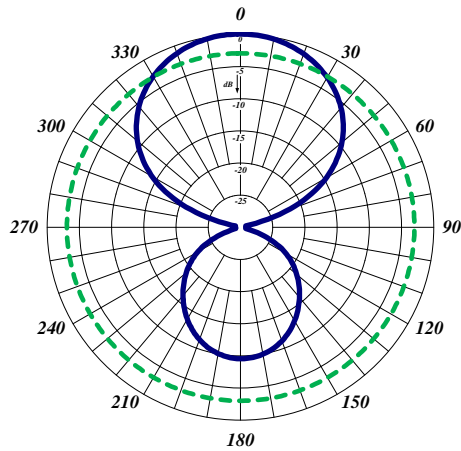




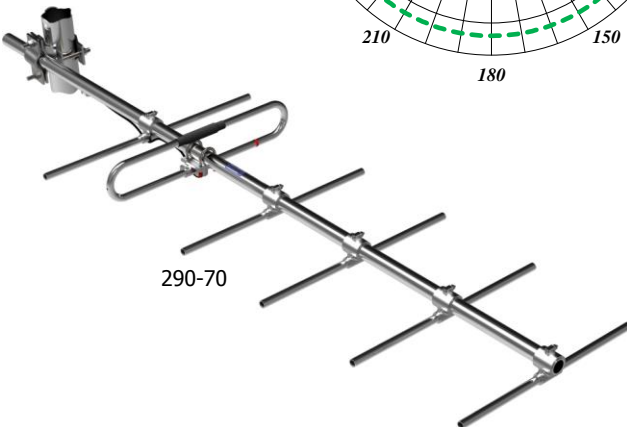
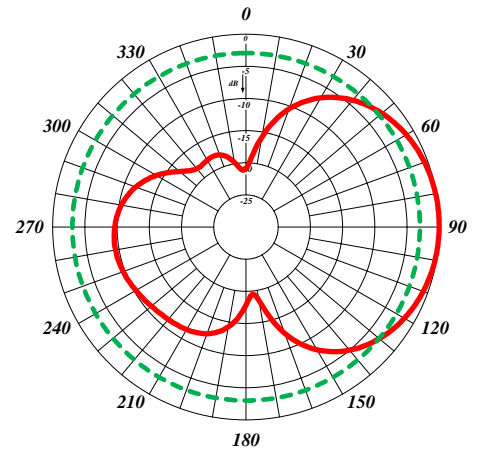
295-70

Horizontal Polarization

Horizontal Pattern



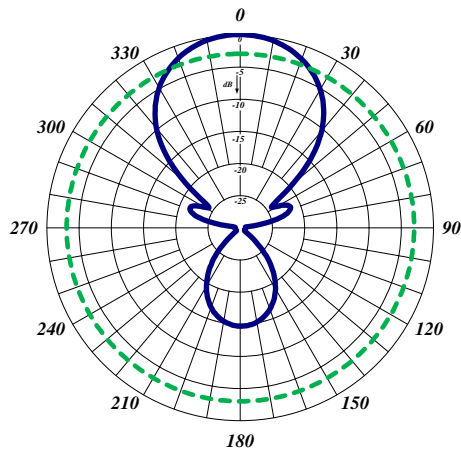
Vertical Pattern



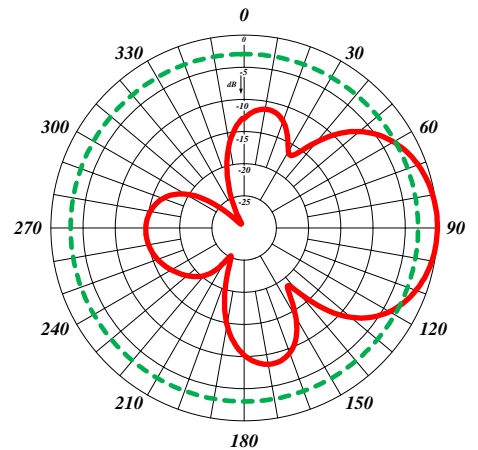
290-70

Horizontal Polarization

Horizontal Pattern



Vertical Pattern





VHF YAGI ANTENNA

138-174 MHz

Order Information	End Mount	End Boom	Center	Welded	Heavy Duty	Black	(2) Stacked
291-70	291-70	N/A	N/A	291-70-W	291-70-HD	291-70-B	N/A
295-70	295-70	N/A	295-70-CB	295-70-W	295-70-HD	295-70-B	N/A
290-70	290-70	290-70-EB	290-70-CB	290-70-W	290-70-HD	290-70-B	298-70
250-70	250-70	250-70	N/A	250-70-W	250-70-HD	250-70-B	Call