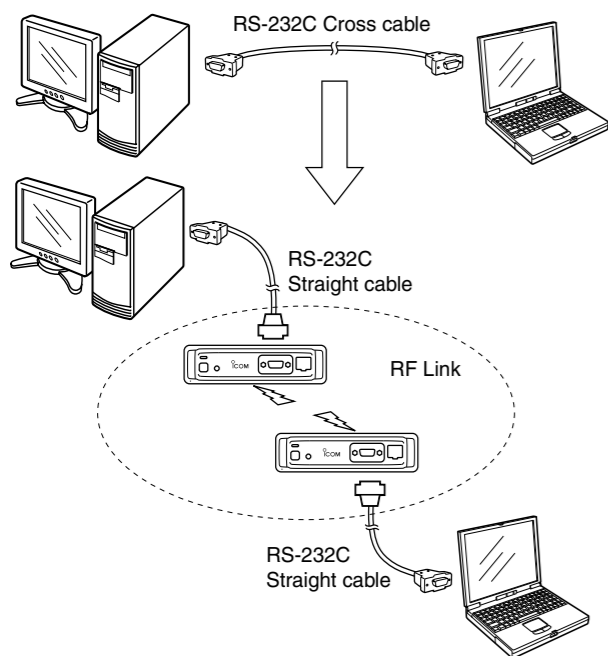


## VHF DIGITAL TRANSCEIVER IC-F5122DD UHF DIGITAL TRANSCEIVER IC-F6122DD

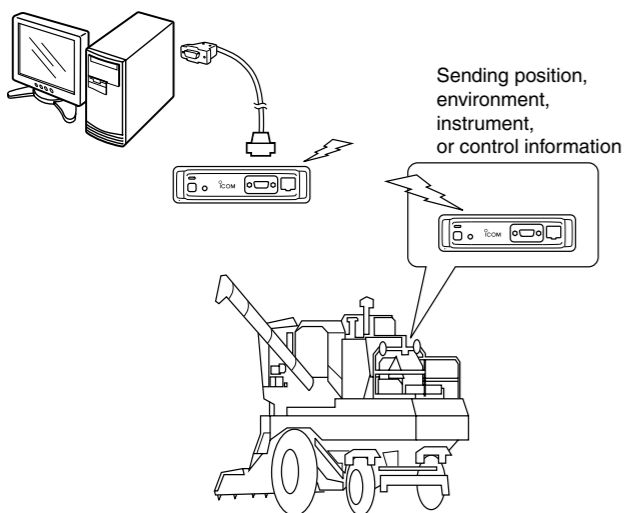
### ABOUT IC-F5122DD/IC-F6122DD

Normally packet data from data software or hardware sensor are exchanged between 2 computers or equivalent devices using RS-232C serial cable or ETHERNET cable. A pair of IC-F5122DD/IC-F6122DD is replacing part of communication cable with a wireless connection.



#### Example of use:

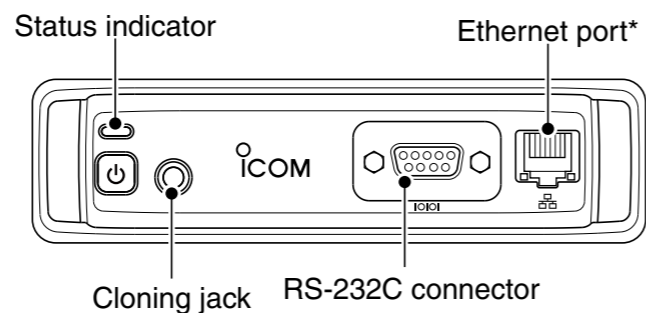
Collecting position, environment, instrument, or control information



Sending position, environment, instrument, or control information

Thank you for choosing the IC-F5122DD VHF DIGITAL TRANSCEIVER or IC-F6122DD UHF DIGITAL TRANSCEIVER. Read this instructions for periodic transceiver checks and simple maintenance.

### PANEL DESCRIPTION

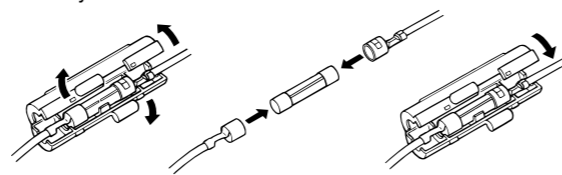


\*The Ethernet port may not be installed, depending on the transceiver version.

### FUSE REPLACEMENT

A fuse is installed in the supplied DC power cable. If a fuse blows, track down the source of the problem, repair it, and then replace the damaged fuse with a new rated one.

- Fuse rating: 10 A
- USE only a 10 A fuse.



### CLEANING

If the transceiver becomes dusty or dirty, wipe it clean with a soft, dry cloth.

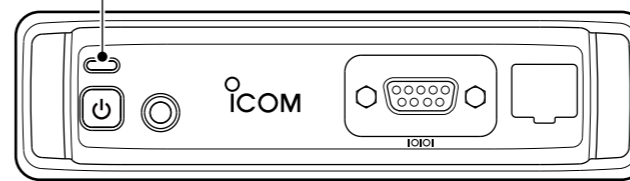


**DO NOT** use harsh solvents such as benzine or alcohol, as they may damage the transceiver surfaces.

### ABOUT THE STATUS INDICATOR

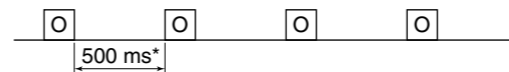
The Status Indicator indicates various transceiver status.

Status indicator

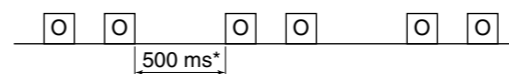


Color	Status	Description
Green	Lit	Power ON and standing by
	Blinking	Receiving data
Red	Lit	Transmitting data
Orange	Blinking	A problem occurred. The cause may differ, depending on the blinking pattern. See the diagram below for details about the blinking patterns and causes.

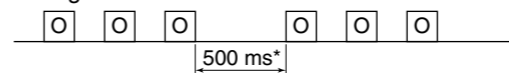
- Reducing the transmission output to protect the final amplifier



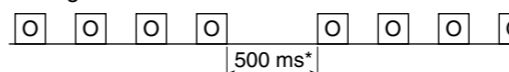
- PLL unlock



- Overvoltage



- Low voltage



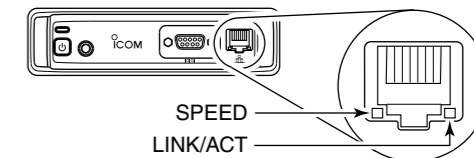
\*Approximately (ms: millisecond)  
O=Orange

If the Status Indicator blinks orange, contact your dealer or system integrator.

### ABOUT ETHERNET PORT INDICATORS

The Ethernet port indicators indicate the status of the network and data.

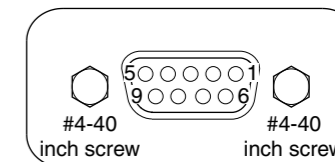
\*The Ethernet port may not be installed, depending on the transceiver version.



	Color	Status	Description
SPEED	Orange	Not lit	Connected to 10BASE-T
		Lit	Connected to 100BASE-TX
LINK/ACT	Green	Not lit	Not connected to the network
		Lit	Connected to the network
		Blinking	Receiving and Transmitting data

### PIN ASSIGNMENT

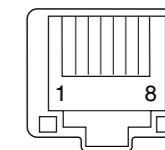
- RS-232C connector



Pin No.	Line Name	I/O
1	(No connection)	-
2	RxD	OUT
3	TxD	IN
4	DTR	IN
5	GND	-
6	(No connection)	-
7	RTS	IN
8	CTS	OUT
9	(No connection)	-

- Ethernet port

\*The Ethernet port may not be installed, depending on the transceiver version.



Pin No.	Line Name	I/O
1	TX+	OUT
2	TX-	OUT
3	RX+	IN
4	(No connection)	-
5	(No connection)	-
6	RX-	IN
7	(No connection)	-
8	(No connection)	-

Icom, Icom Inc. and the Icom logo are registered trademarks of Icom Incorporated (Japan) in Japan, the United States, the United Kingdom, Germany, France, Spain, Russia, Australia, New Zealand, and/or other countries.