



VHF MARINE TRANSCEIVERS

IC-M324G

(With GPS Receiver)

IC-M324

(Without GPS Receiver)

Top Performance, Great Value



IC-M324G Black Version



Built-in GPS Receiver Simplifies Installation
(IC-M324G only)



Icom Marine Family User Interface



High-Definition Dot-Matrix Display



Meets Latest Class D DSC Specifications



IPX7 Submersible Protection
1m Depth of Water for 30 Minutes



Common NMEA Interface
For External GPS/NAV Connection



AquaQuake™ Draining Function



MA-500TR AIS Transponder Compatible



MarineCommander™ Compatible



IC-M324 Super White Version

Built-in GPS Receiver (IC-M324G only)

The built-in GPS receiver shows your current position and time and can be used for DSC calls. GPS data source is selectable from internal and external GPS (and GPS-OFF setting).

Intuitive User Interface

Icom's common Marine Family User Interface provides simple operation for the boat owner. A rotary selector and directional keypad provide intuitive operation. The high-definition dot-matrix display allows all information to be clearly viewed.

Built-in Class D DSC

The built-in DSC watch function monitors Ch. 70 (DSC channel) activity, even while you are receiving another channel. DSC functions include: distress, individual, group, all ships, urgency, safety, position request/report, polling request and DSC test calls.

Common NMEA Interface

When receiving DSC information from another vessel, the IC-M324/G can transfer it to a navigational device via NMEA 0183 connectivity.

Compatible with MA-500TR Class B AIS Transponder

The IC-M324/G can be integrated with the MA-500TR Class B AIS Transponder, which allows you to transmit DSC individual calls to a selected vessel instantly without manual MMSI entry. It is very handy if you are waiting to contact vessels on the AIS screen - an essential safety feature in an emergency.

IPX7 Submersible Protection

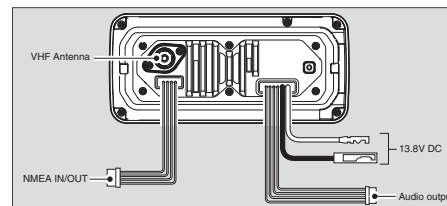
The IC-M324/G withstands submersion in up to 1.0m depth of water for 30 minutes. It is equivalent to the IPX7 standard.

Favorite Channel Function

This function promotes quick channel selection. Set the "Tag" channel to the channels used most often. When pushing the up/down buttons on the hand microphone, only the tagged channels are selected, while untagged channels are skipped.

And More

- MarineCommander™ compatible
- AquaQuake™ water draining function
- Dual/tri-watch function for monitoring Ch.16 and/or call channel
- Black and super white versions available



OPTIONS

CLASS B AIS TRANSPONDER



FLUSH MOUNT KIT



SPECIFICATIONS

GENERAL		
Frequency range	Tx	156.025-157.425MHz
	Rx	156.050-163.275MHz
	Ch. 70	156.525MHz
Usable channels		USA, CAN, INT, WX channels
Type of emission		16K0G3E (FM), 16K0G2B (DSC)
Power supply requirement		13.8V DC nominal (11.7-15.9V DC)
Current drain (at 13.8V DC)	Tx 25W output	5.5A
	Rx AF max.	1.5A
Operating temperature range		-20°C to +60°C; -4°F to +140°F
Antenna impedance		50Ω (SO-239)
Dimensions (WxHxD) (projections not included)		180x82x119.9mm
		7.09x3.23x4.72 in
Weight (approx.)		1.2kg; 2.65lb
NMEA in/out formats		RMC, GGA, GNS, GLL, DSC, DSE
TRANSMITTER		
Output power (at 13.8V DC)		25W, 1W
Max. frequency deviation		±5.0kHz
Frequency tolerance		±10ppm (-20°C to +60°C)
Spurious emissions		Less than -70dBc (High)
		Less than -56dBc (Low)

RECEIVER		
Sensitivity	Main	-13dBμ typ. (12dB SINAD)
	Ch. 70	-5dBμ emf typ. (1% BER)
Squelch sensitivity		Less than -10dBμ
Adjacent channel selectivity	Main	More than 70dB
	Ch. 70	More than 73dBμ emf (1% BER)
Spurious response	Main	More than 70dB
	Ch. 70	More than 73dBμ emf (1% BER)
Intermodulation	Main	More than 70dB
	Ch. 70	More than 68dBμ emf (1% BER)
Hum and noise		More than 40dB
Audio output power (at 10% distortion, 4Ω load)		4.5W typical

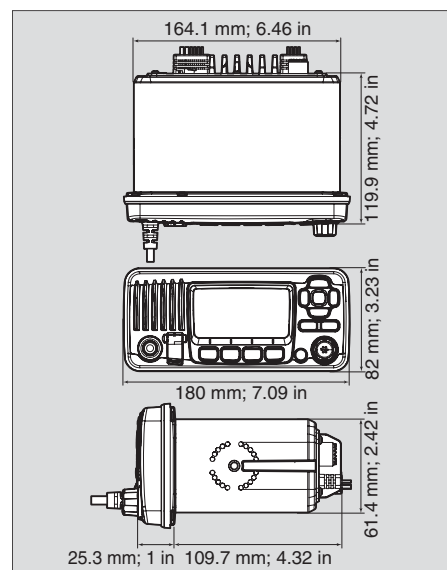
Measurements made in accordance with TIA/EIA-603. All stated specifications are subject to change without notice or obligation.

Applicable IP Rating

Ingress Protection Standard	
Water	IPX7 (Waterproof protection)

Supplied accessories:

- Hand microphone, HM-200B/SW
- DC power cable
- Mounting bracket kit



Icom, Icom Inc. and the Icom logo are registered trademarks of Icom Incorporated (Japan) in the United States, the United Kingdom, Germany, France, Spain, Russia, Japan and/or other countries. MarineCommander and AQUAQUAKE are trademarks of Icom Inc. (Japan). All other trademarks are the properties of their respective holders.

Icom Inc.

1-1-32, Kami-minami, Hirano-Ku, Osaka 547-0003, Japan Phone: +81 (06) 6793 5302 Fax: +81 (06) 6793 0013

www.icom.co.jp/world

Count on us!

Icom America Inc.

12421 Willows Road NE,
Kirkland, WA 98034, U.S.A.
Phone: +1 (425) 454-8155
Fax: +1 (425) 454-1509
E-mail: sales@icomamerica.com
URL: <http://www.icomamerica.com>

Icom (Europe) GmbH

Communication Equipment
Auf der Krautweide 24
65812 Bad Soden am Taunus, Germany
Phone: +49 (6196) 76685-0
Fax: +49 (6196) 76685-50
E-mail: info@icom-europe.com
URL: <http://www.icomeurope.com>

Icom France s.a.s.

Zac de la Plaine,
1 Rue Brindejone des Moulinais, BP 45804,
31505 Toulouse Cedex 5, France
Phone: +33 (5) 61 36 03 03
Fax: +33 (5) 61 36 03 00
E-mail: icom@icom-france.com
URL: <http://www.icom-france.com>

Asia Icom Inc.

6F No. 68, Sec. 1 Cheng-Teh Road,
Taipei, Taiwan, R.O.C.
Phone: +886 (02) 2559 1899
Fax: +886 (02) 2559 1874
E-mail: sales@asia-icom.com
URL: <http://www.asia-icom.com>

Your local distributor/dealer:

Icom Canada

Glenwood Centre #150-6165
Highway 17A, Delta, B.C.,
V4K 5B8, Canada
Phone: +1 (604) 952-4266
Fax: +1 (604) 952-0090
E-mail: info@icomcanada.com
URL: <http://www.icomcanada.com>

Icom Spain S.L.

Ctra. Rubi, No. 88 "Edificio Can Castanyer"
Bajos A 08174, Sant Cugat del Valles,
Barcelona, Spain
Phone: +34 (93) 590 26 70
Fax: +34 (93) 589 04 46
E-mail: icom@icomspain.com
URL: <http://www.icomspain.com>

Icom (Australia) Pty. Ltd.

Unit 1 / 103 Garden Road,
Clayton, VIC 3168 Australia
Phone: +61 (03) 9549 7500
Fax: +61 (03) 9549 7505
E-mail: sales@icom.net.au
URL: <http://www.icom.net.au>

Icom Brazil

Rua Itororó, 444 Padre Eustáquio
Belo Horizonte MG,
CEP: 30720-450, Brazil
Phone: +55 (31) 3582 8847
Fax: +55 (31) 3582 8987
E-mail: sales@icombrasil.com

Icom (UK) Ltd.

Blacksole House, Altira Park,
Herne Bay, Kent, CT6 6GZ, U.K.
Phone: +44 (0) 1227 741741
Fax: +44 (0) 1227 741742
E-mail: info@icomuk.co.uk
URL: <http://www.icomuk.co.uk>

Icom New Zealand

39C Rennie Drive, Airport Oaks,
Auckland, New Zealand
Phone: +64 (09) 274 4062
Fax: +64 (09) 274 4708
E-mail: inquiries@icom.co.nz
URL: <http://www.icom.co.nz>